

Main Characters

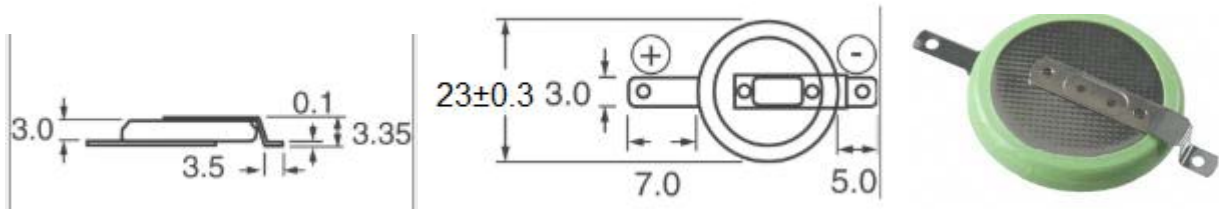
Nominal capacitor	240mAh
Nominal voltage	3.0V
Nominal Discharge current	0.2mA
Max pulse current	10mA
Storage (suggestion) (For more extreme storage conditions, please consult LONGSING)	0°C~+30°C
Working temperature range (If the operation temperature is higher or lower than the normal room temperature, the battery capacity which can be used will be less than the nominal capacity.)	-40°C~+85°C
Weight	3.5g

**Advantage and characters**

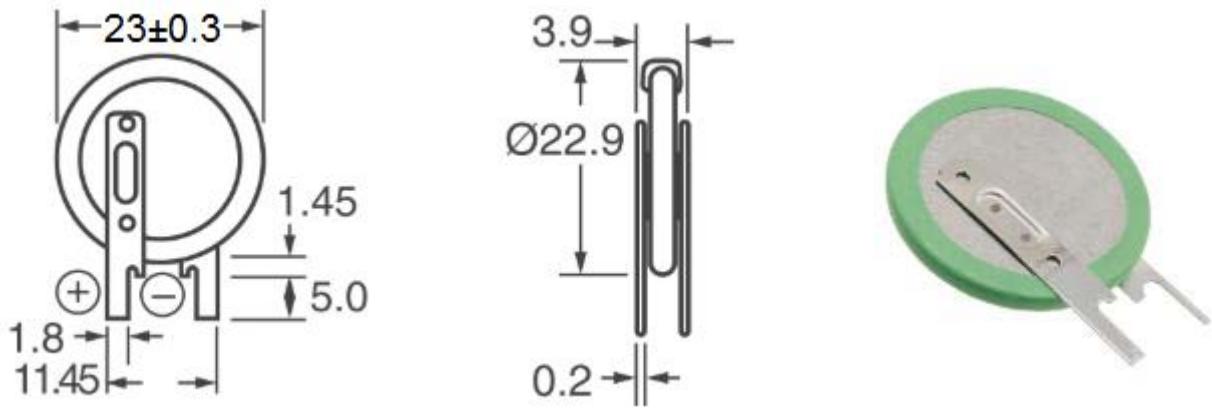
- Stable high working voltage
- Low self-discharging rate
(Storage temp over +25°C,
annual self-discharge rate
less than 2%)
- Long storage life
- Complete sealing
- Wide working temp range
- Airtight sealing with metallid
- Non-combustible electrolyte
- Certificates like CE、SGS、ISO9001、
MSDS、UN38.3

Main application

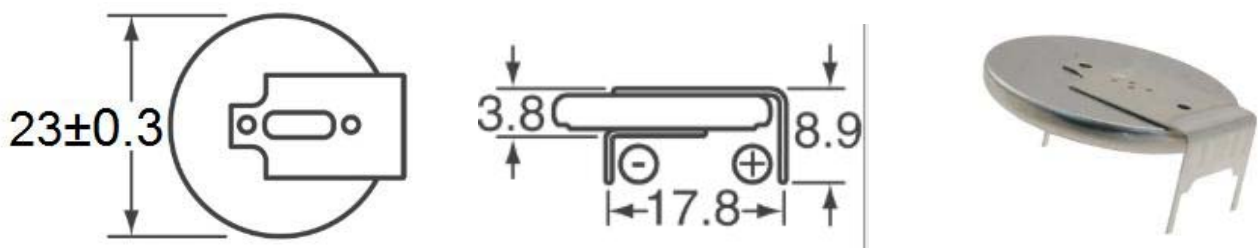
- Car Key
- Smart meters
- Toy
- Camera
- Telematics
- Medical Instruments
- Tracking devices
- Real time clock



Picture 1. BR2330A/FA



Picture 2. BR2330A/VA



Picture 3. BR2330A/GA